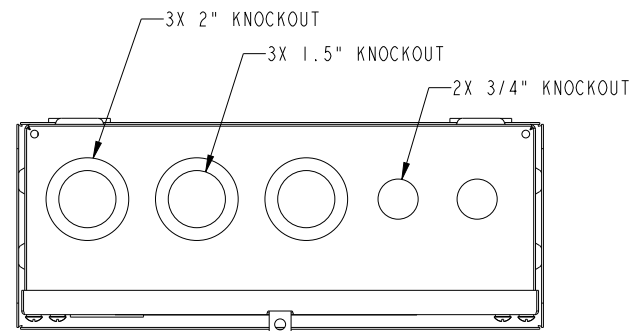
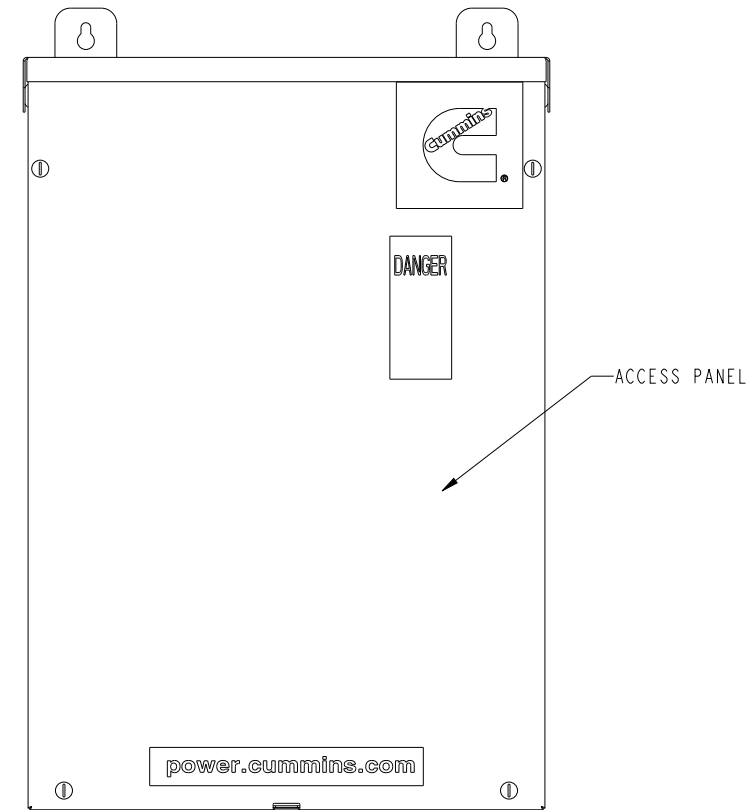
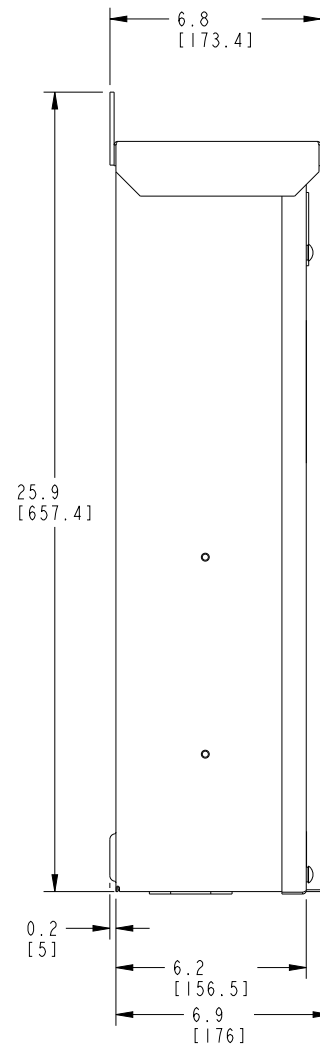
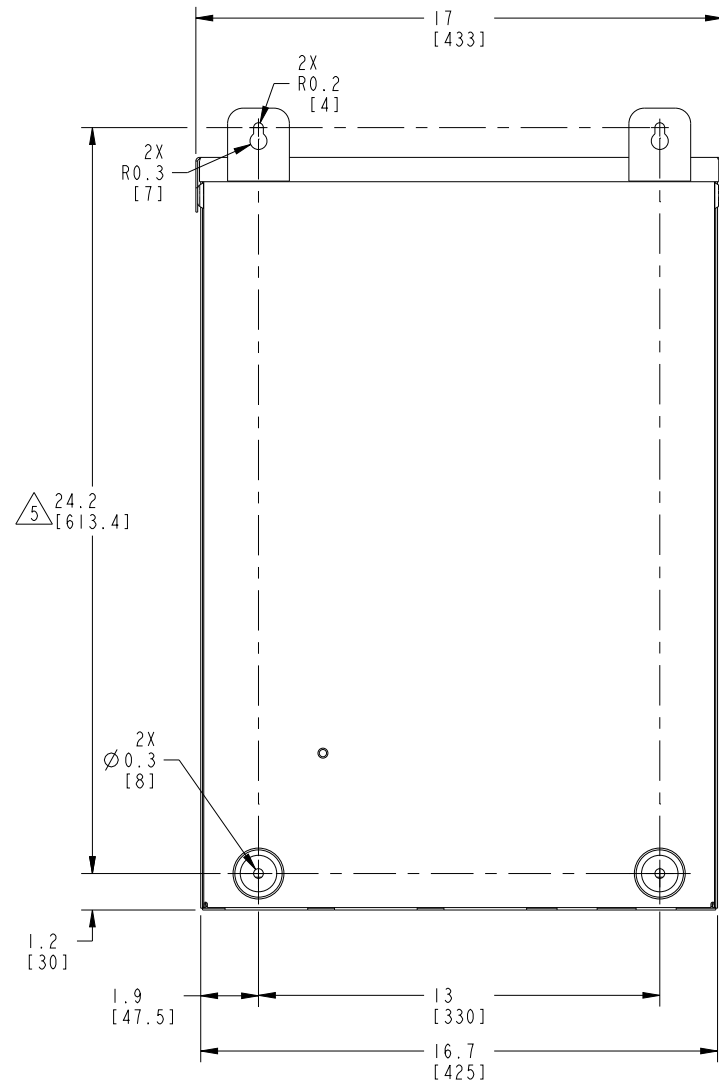


REL NO	REV	NO	REVISION	DWN	CKD	APVD	DATE
ECO-171568	D	1	UPDATED LUG CAPACITY TABLE	JBL	SGM	T.BEAUCAGE	08MAR18
		2	NOTE "ALL---- MILLIMETERS" WAS	-	-	-	-
			"DIMENSIONS----MILLIMETERS"	JBL	SGM	T.BEAUCAGE	08MAR18
		3	SEE SHEET 2	JBL	SGM	T.BEAUCAGE	08MAR18
		4	SEE SHEET 2	JBL	SGM	T.BEAUCAGE	08MAR18
		5	SEE SHEET 3	JBL	SGM	T.BEAUCAGE	08MAR18



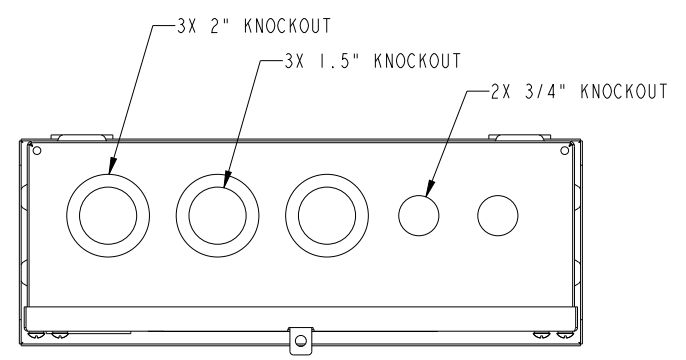
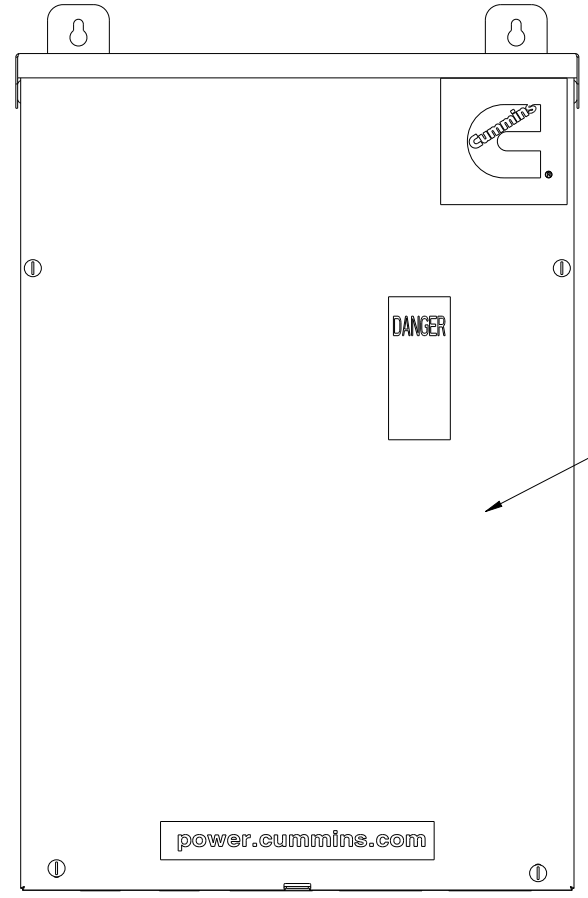
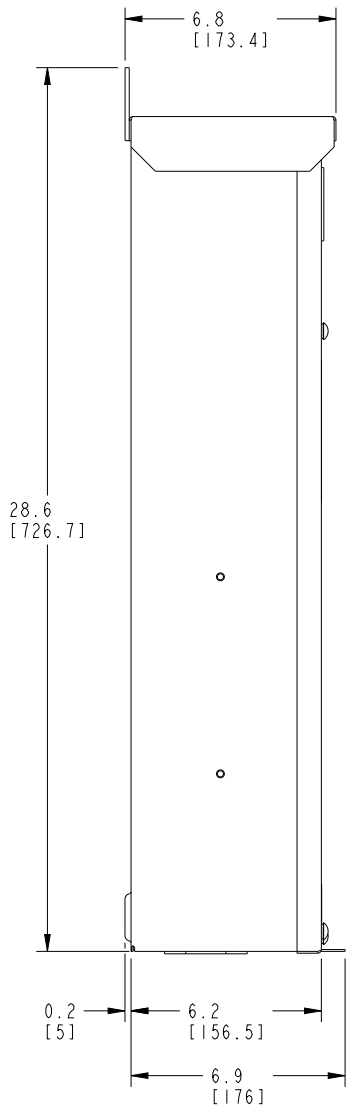
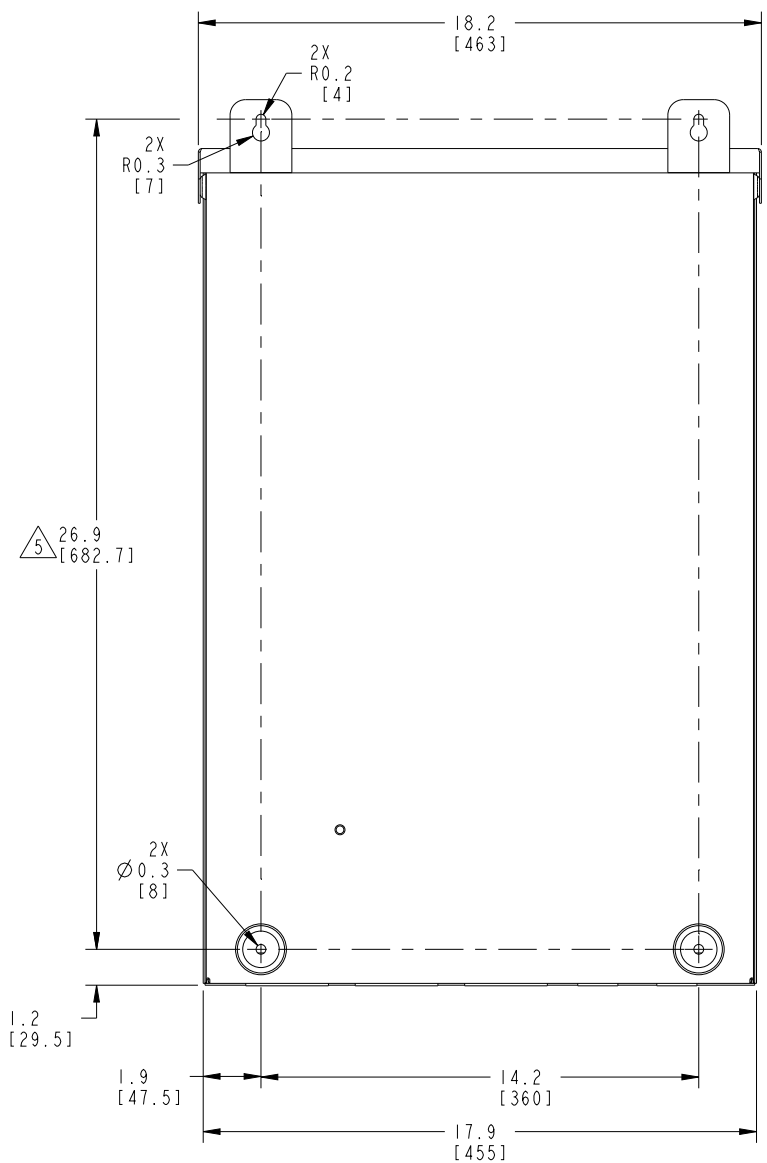
- NOTES:
- ENCLOSURE: TYPE 3R
 - APPROX WEIGHT: 33 LBS [15KG]
 - USE SEPARATE CONDUITS FOR CONTROL WIRING & POWER WIRING. DO NOT COMBINE
 - ALL DIMENSIONS ARE IN INCHES. DIMENSIONS IN [] ARE MILLIMETERS.
 - ⁵ DIMENSION USING 1/4 INCH MOUNTING BOLT DIAMETER.

LUG CAPACITY	
UTILITY/GEN/LOAD	(1) #14 AWG-2/0 CU/AL
NEUTRAL	(3) #14 AWG-2/0 CU/AL
GROUND	(3) #14 AWG-1/0 CU/AL

RA112N3 OUTLINE (100A NON-SERVICE ENTRANCE)

UNLESS OTHERWISE SPECIFIED, ALL DIMENSIONS ARE IN MILLIMETERS		SHW TO	DWN G COLLEEN		CUMMINS POWER GENERATION	
DO NOT SCALE PRINT		CKD A GAMAZON	APVD T BEAUCAGE		OUTLINE, TRANSFER SWITCH	
DATE 11MAR13		SITE CODE		PGF		
ANG TOL ± 1.0°		SCALE 1/1		ARROW		
THIS DOCUMENT (AND THE INFORMATION SHOWN THEREON) IS CONFIDENTIAL AND PROPRIETARY AND SHALL NOT BE DISCLOSED TO OTHERS IN HARD COPY OR ELECTRONIC FORM, REPRODUCED BY ANY MEANS, OR USED FOR ANY PURPOSE WITHOUT WRITTEN CONSENT OF CUMMINS INC.		FOR INTERPRETATION OF DIMENSIONS AND TOLERANCING, SEE ASME Y14.5M-1994		FIRST USED ON		
		FILE D		A044R213		
				CAD SHEET 1 of 3		

REL NO	REV	NO	REVISION	DRN	CKD	APVD	DATE
ECO-171568	D	3	UPDATED LUG CAPACITY TABLE	JBL	SGM	T.BEAUCAGE	08MAR18
		4	NOTE "ALL---- MILLIMETERS" WAS	-	-	-	-
			"DIMENSIONS----MILLIMETRES"	JBL	SGM	T.BEAUCAGE	08MAR18



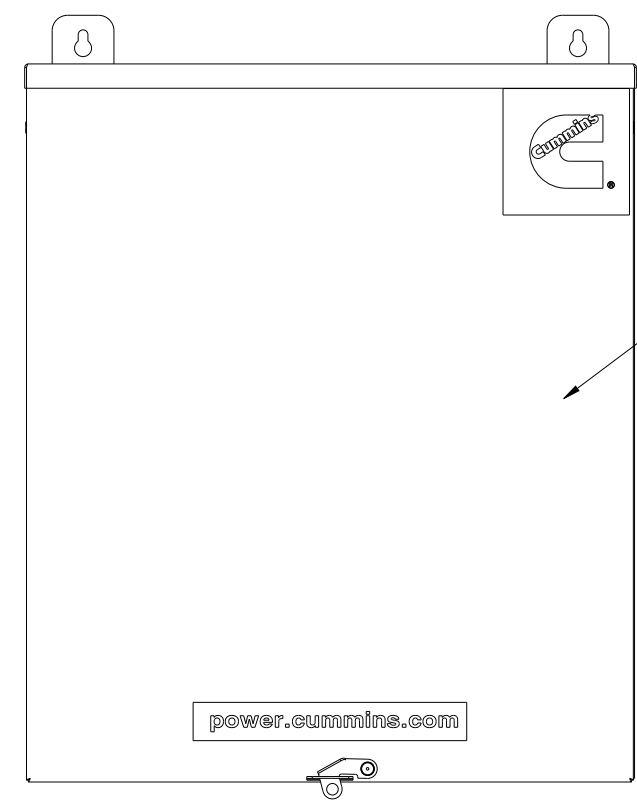
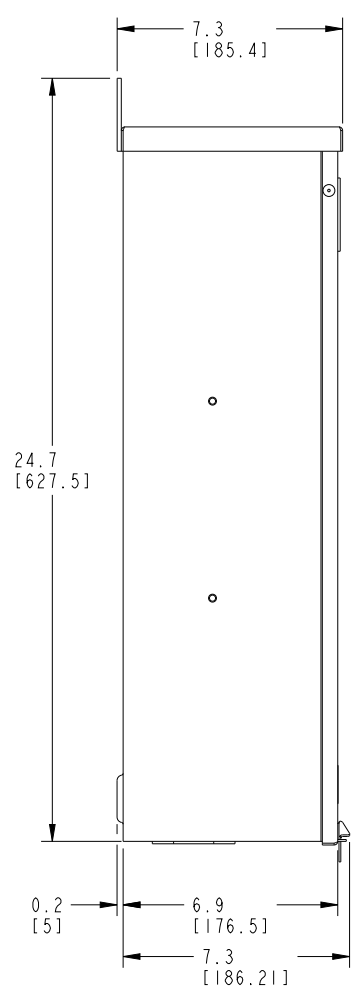
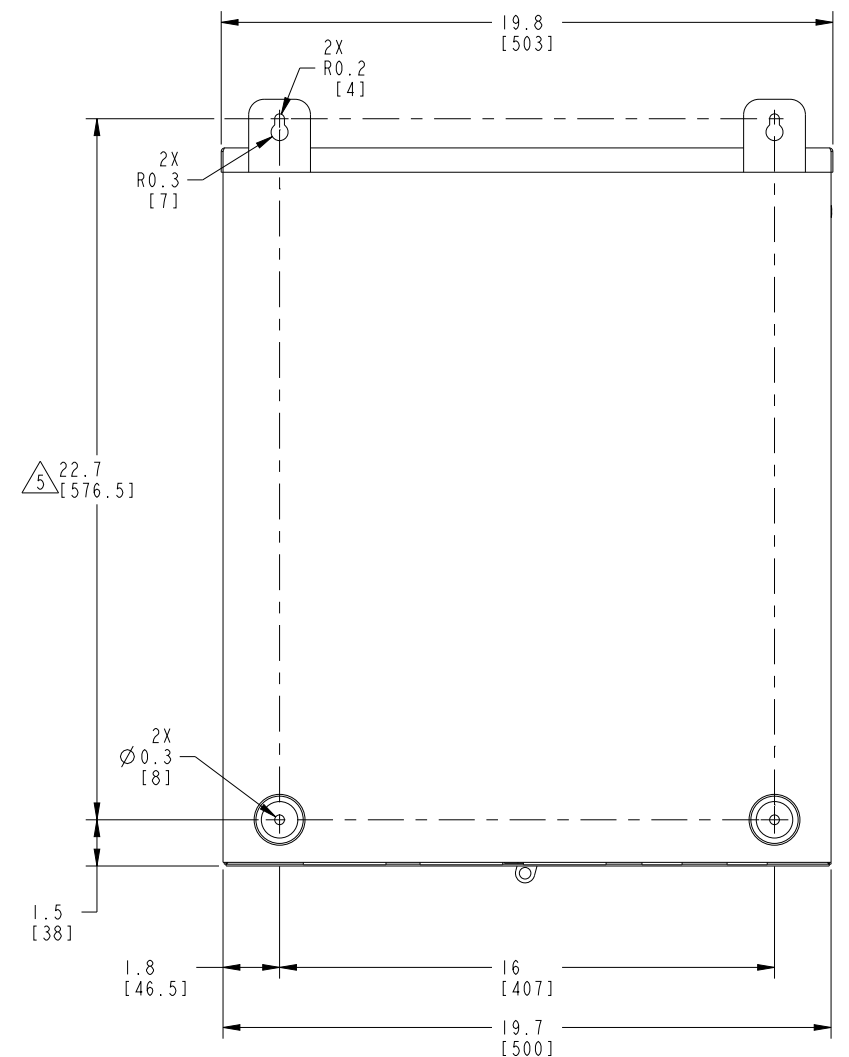
- NOTES:
- ENCLOSURE: TYPE 3R
 - APPROX WEIGHT: 46 LBS [21Kg]
 - USE SEPARATE CONDUITS FOR CONTROL WIRING & POWER WIRING. DO NOT COMBINE
 - ALL DIMENSIONS ARE IN INCHES. DIMENSIONS IN [] ARE MILLIMETERS.
 - DIMENSION USING 1/4 INCH MOUNTING BOLT DIAMETER.

LUG CAPACITY	
UTILITY/GEN/LOAD	(1) #6 AWG-300 MCM CU/AL
NEUTRAL	(3) #6 AWG-300 MCM CU/AL
GROUND	(3) #14 AWG-1/0 CU/AL

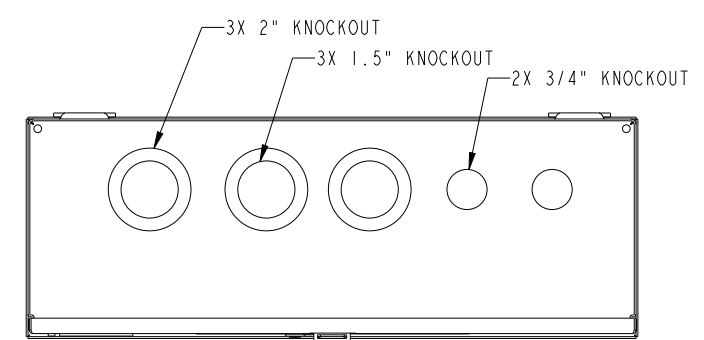
RA212N3 OUTLINE (200A NON-SERVICE ENTRANCE)

UNLESS OTHERWISE SPECIFIED, ALL DIMENSIONS ARE IN MILLIMETERS		SHW TO	DWN G COLLEEN		CUMMINS POWER GENERATION	
DO NOT SCALE PRINT			CKD A GAMAZON		OUTLINE, TRANSFER SWITCH	
DIM	X ± 1	0.00- 4.99 +0.15/-0.08	APVD T BEAUCAGE	SITE CODE		
	.X ± 0.8	5.00- 9.99 +0.20/-0.10	DATE 11MAR13			
	.XX ± 0.38	10.00-17.49 +0.25/-0.13				
		17.50-24.99 +0.30/-0.13				
ANG TOL	± 1.0°		FOR INTERPRETATION OF DIMENSIONING AND TOLERANCING, SEE ASME Y14.5M-1994	PGF	ARROW	
SCALE	1/1		FIRST USED ON	DWG FILE	A044R213	CAD SHEET 2 of 3

REL NO	REV	NO	REVISION	DRN	CKD	APVD	DATE
ECO-171568	D	5	NOTE "ALL---- MILLIMETERS" WAS "DIMENSIONS----MILLIMETRES"	-	-	-	-
				JBL	SGM	T.BEAUCAGE	08MAR18



ACCESS DOOR



AMPERAGE	LUG CAPACITY	
	100A	200A
UTILITY (CIRCUIT BREAKER)	(1) #4 AWG-300MCM CU/AL	(1) #4 AWG-300MCM CU/AL
LOAD/GENERATOR (TRANSFER SWITCH)	(1) #14 AWG-2/0 CU/AL	(1) #6 AWG-300 MCM CU/AL
NEUTRAL	(3) #14 AWG-2/0 CU/AL	(3) #6 AWG-300 MCM CU/AL
GROUND	(4) #14 AWG-1/0 CU/AL	(4) #14 AWG-1/0 CU/AL

- NOTES:
- ENCLOSURE: TYPE 3R
 - APPROX WEIGHT: 58 LBS (26KG)
 - USE SEPERATE CONDUITS FOR CONTROL WIRING & POWER WIRING. DO NOT COMBINE.
 - ALL DIMENSIONS ARE IN INCHES. DIMENSIONS IN [] ARE MILLIMETERS.
 - DIMENSION USING 1/4 INCH MOUNTING BOLT DIAMETER.

RA112S3 AND RA212S3 (100A AND 200A SERVICE ENTRANCE)

UNLESS OTHERWISE SPECIFIED, ALL DIMENSIONS ARE IN MILLIMETERS		SHW TO	DWN G COLLEEN		CUMMINS POWER GENERATION	
DO NOT SCALE PRINT			CKD A GAMAZON		OUTLINE, TRANSFER SWITCH	
DIM	X ± 1	0.00- 4.99 +0.15/-0.08	APVD T BEAUCAGE	DATE	11MAR13	SITE CODE
	.X ± 0.8	5.00- 9.99 +0.20/-0.10				
	.XX ± 0.38	10.00-17.49 +0.25/-0.13				
		17.50-24.99 +0.30/-0.13				
ANG TOL	± 1.0°		FOR INTERPRETATION OF DIMENSIONING AND TOLERANCING, SEE ASME Y14.5M-1994	PGF	ARROW	AWG
SCALE	1/1			D	A044R213	CAD SHEET
						3 of 3

Part A044R213 D

Description	Legacy Name	External Regulations	Application Status	Release Phase Code	Security Classification	Alternates
OUTLINE,TRANSFER SWITCH	A044R213	No External Regulations Apply	Production Only	Production	Confidential	

Part Specifications :A044R213 D

Name	Description	Legacy Name
A030B356	SPECIFICATION,MATERIAL	CES10903
A044R214	DRAWING,ENGINEERING	A044R214